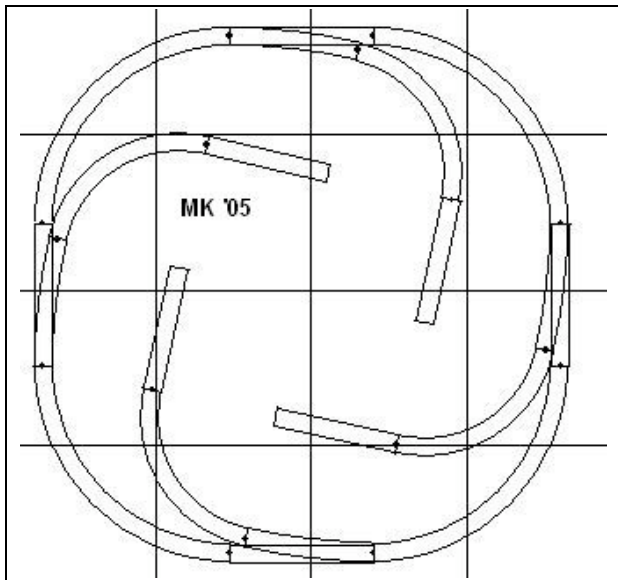
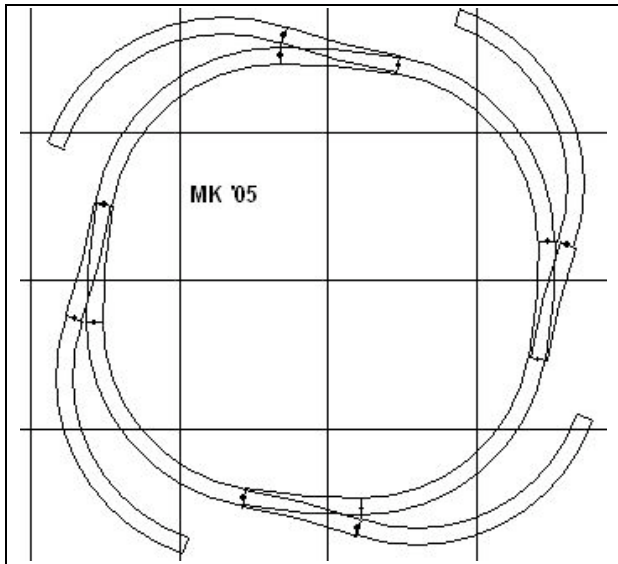


## Round and Round Shunting Fun

Here's a pair of interesting shunting puzzles I made up.

Each square represents 250mm.

The curves are by necessity very sharp; on the interior design (lower diagram) they are as sharp as 200mm radius, giving narrow gauge a definite advantage over standard gauge in this layout.



The idea is to have spaces on the sidings uniquely labeled, and then randomly selecting which wagon goes where on the layout. I reckon having 2 wagon spaces per siding, and having 8 wagons on the layout, would make this fun.

Scenery could be added though isn't necessary. I envisage a whole lot of vertical and horizontal chemical tanks, with industrial brick buildings taking the rest of the space, with simple gravel or concrete roads winding between.

It would look best if view from one side of the layout to the other is blocked. This would mean having access on all four sides though.

Another idea is representing an armaments depot, with a bunker on each siding, each bunker labeled 'A1, A2, B1, B2' etcetera. A small 4wBE and some bombs on flatcars would be ideal, and if each load is easily distinguishable from the rest, it would make it quite interesting.

Large earth traverses between the bunkers would provide adequate separation to the sidings.