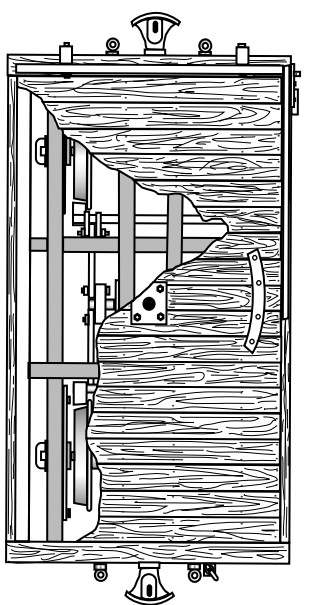
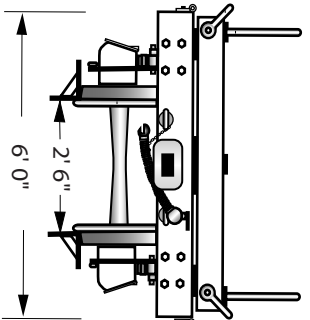
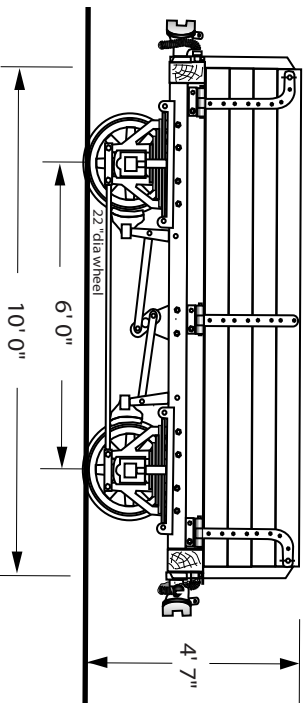


TIMBER BOLSTER

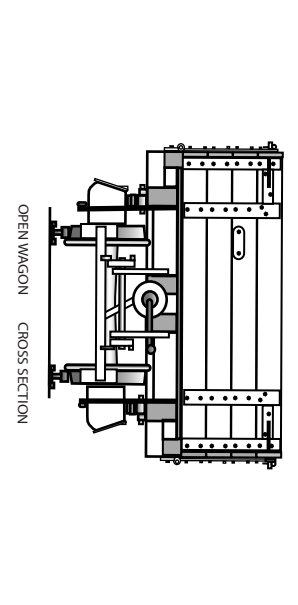
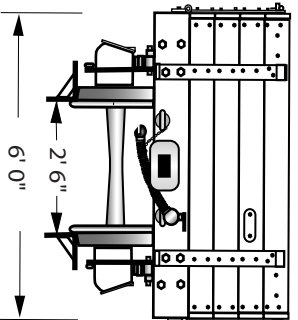


OPEN WAGON

TIMBER BOLSTER



OPEN WAGON



OPEN WAGON

CROSS SECTION

Note :-
 These wagons appear to be interchangeable
 either sides or bolsters can be fitted to any
 chassis

BUDERIM TRAMWAY
Wagons

Scale 1/4 inch = 1 foot 1 : 48

Drawn from Photographs only
 100% accuracy not guaranteed

Digitally drawn by Jim Fainges 2003