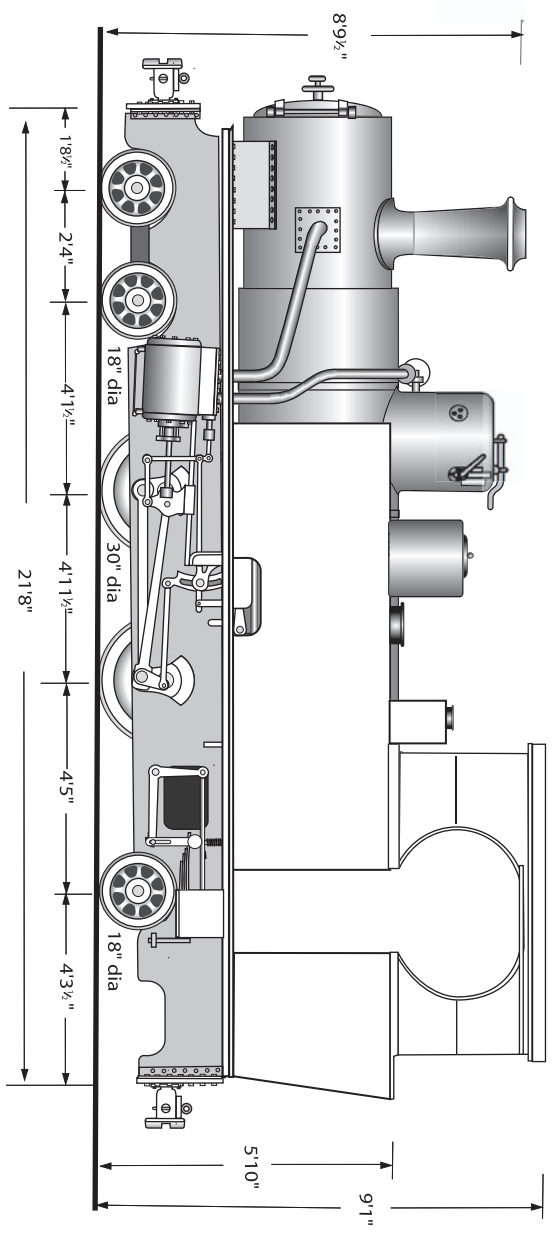
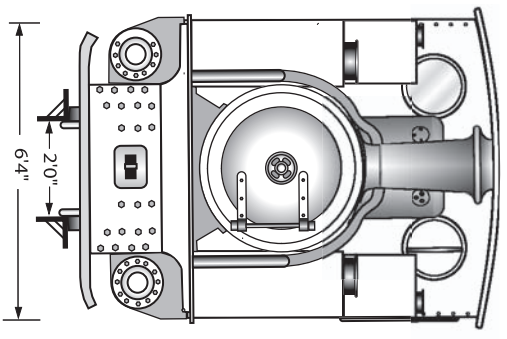
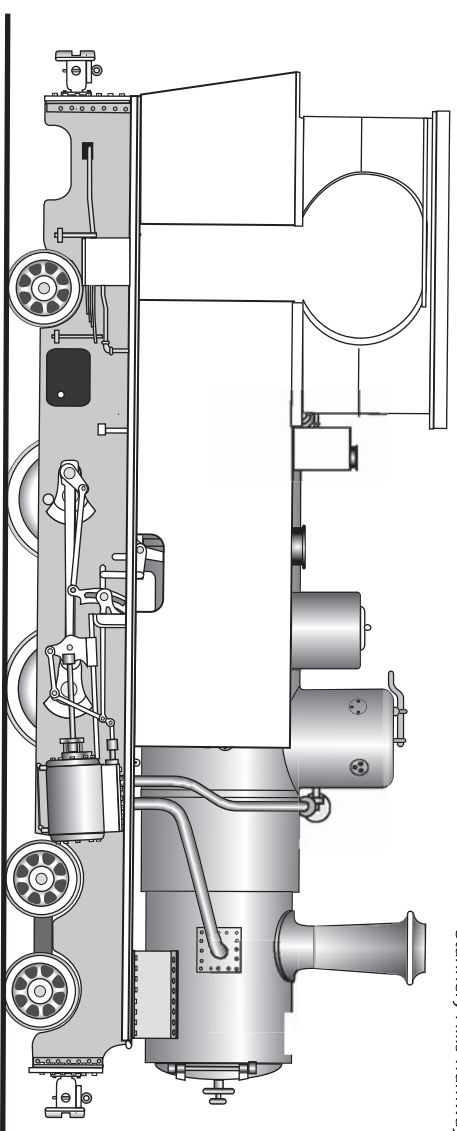
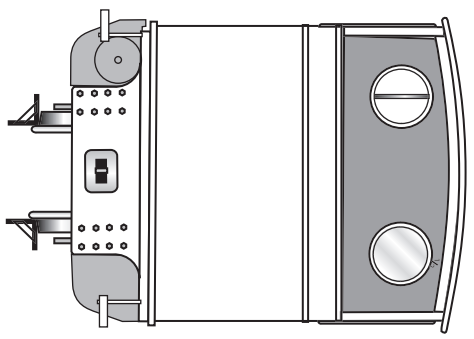


NOTE:- Converted to side tank for
Cattle Creek Mill from tender
locomotive used by
Stannery Hills Tramway



CATTLE CREEK SUGAR MILL

BORSIG 4 - 4 - 4 - 2 No 3 "GERMANY" b/n 6345 of 1907

scale 1/4 inch = 1 foot

drawn by Jim Fainges 1999
Digitised Jim Fainges 2006