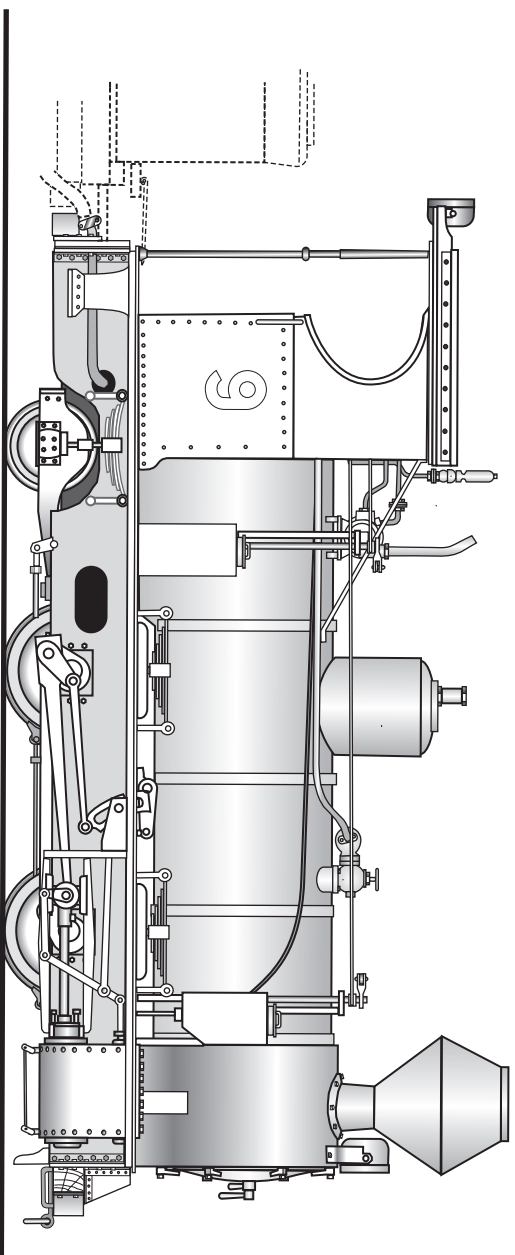
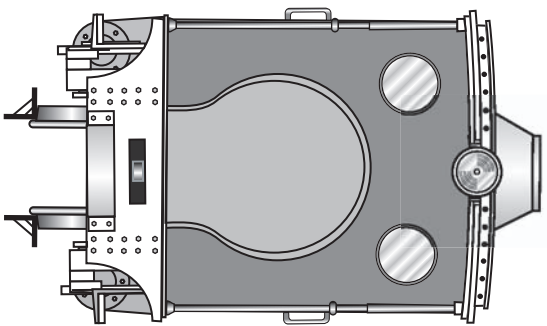


- NOTE :-
- 1: Rebuilt from 0 - 4 - 2 tank loco of the EAST DUNCAS TRAMWAY (Tasmania)
  - 2: Converted to a tander engine with a larger boiler
  - 3: There was a sister engine numbered 10 and of similar appearance



# ISIS MILL Childers)

scale  $\frac{1}{4}$  inch = 1 foot

Sharpe Stuart 0 4 - 2 No 9

Builders No 4432 of 1895

Drawn by Jim Fainges 2000

