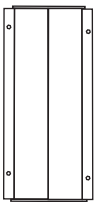
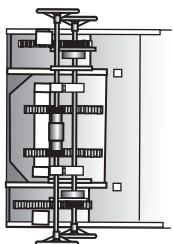


PLAN OF HOPPER

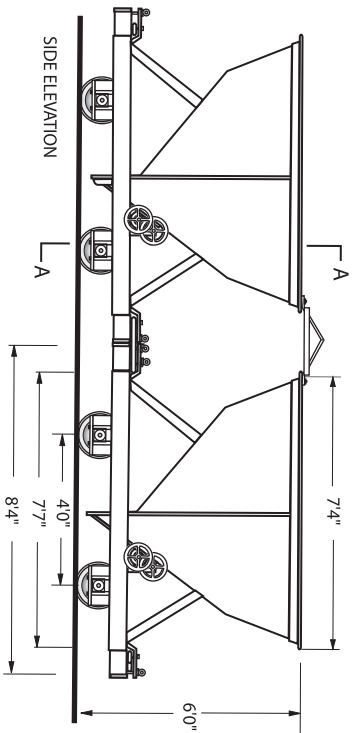
PLAN OF CHASSIS



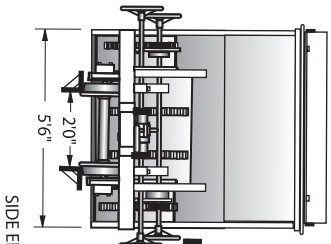
PLAN OF BRIDGING COVER



Cross Section A\_A



SIDE ELEVATION



SIDE ELEVATION

**MORETON SUGAR MILL (Nambour)  
BALLAST HOPPERS**

2 Shown Usually ran as a set of 4

Scale 3/16 inch = 1foot 1 : 64

drawn by Jim Faingest1997  
digitised Jan 2005