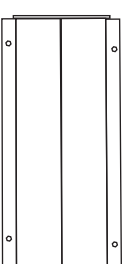
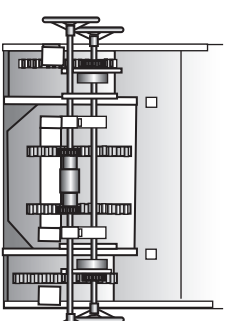


PLAN OF HOPPER

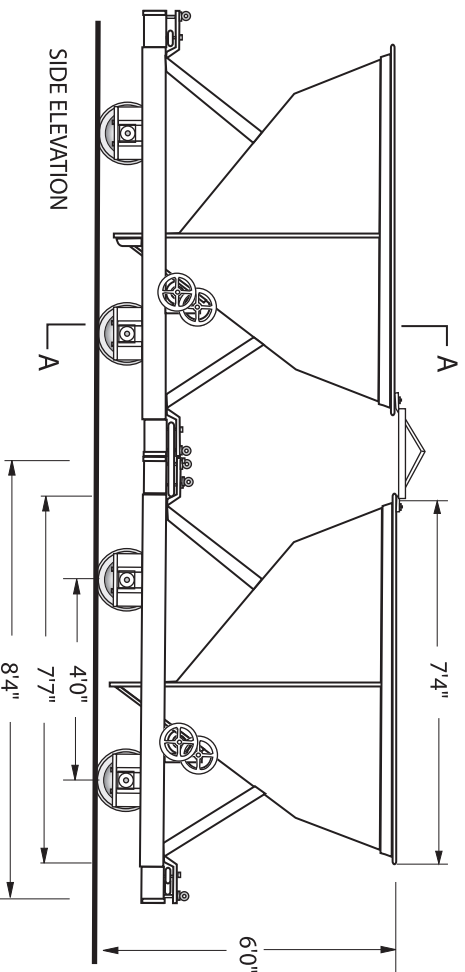
PLAN OF CHASSIS



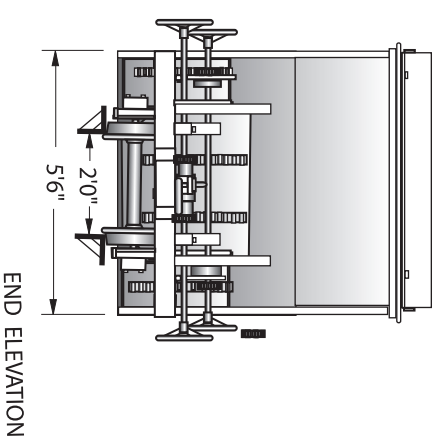
PLAN OF BRIDGING COVER



Cross Section A_A



SIDE ELEVATION



END ELEVATION

MORETON SUGAR MILL (Nambour) BALLAST HOPPERS

Scale 1/4 inch = 1foot 1 : 48

2 Shown Usually ran as a set of 4

drawn by Jim Faingoes1997
digitised Jan 2005