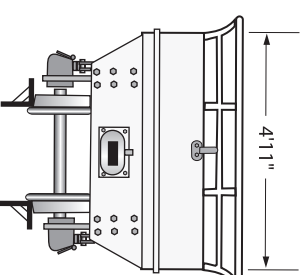
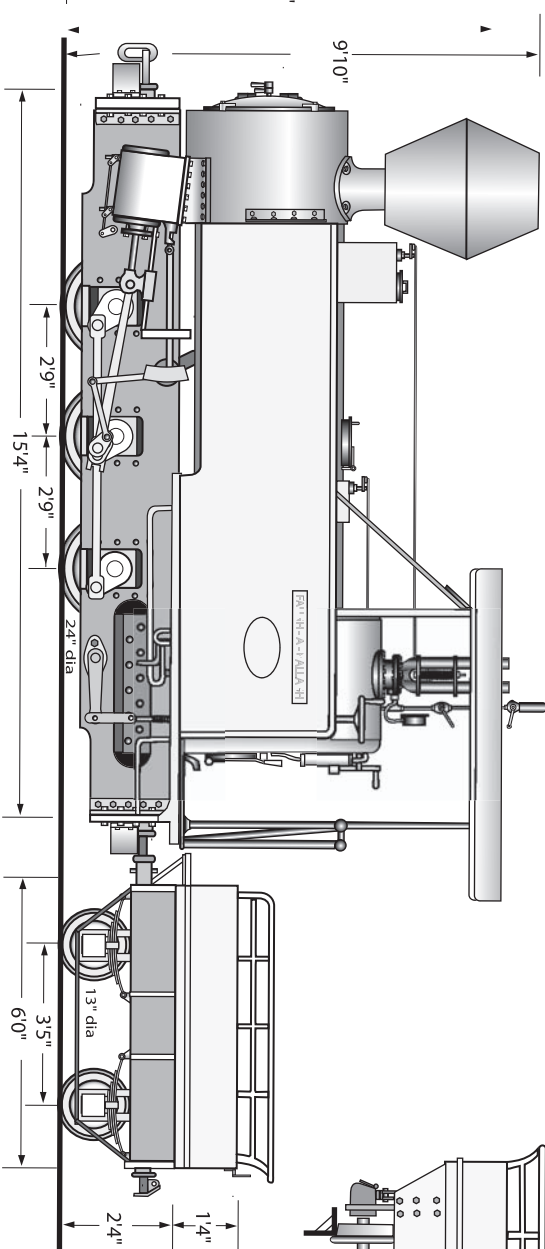
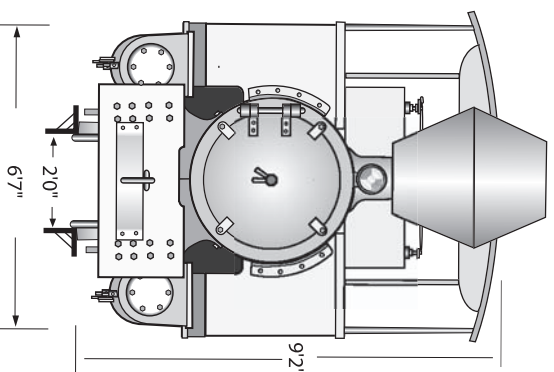


- NOTE:-
- 1: Joys valve gear
 - 2: Tender originally for O&K mallet and is cut down for this loco in 1950
 - 3: Boiler feed originally pumps driven by axle eccentric. Now 2/ No 4 Brown Autopositive injectors



DOUGLAS SHIRE TRAMWAY

John Fowler 0 - 6 - 0 tank Locomotive

Builders No 8744 of 1901

Scale 1/4 inch = 1 foot or 1 : 48

drawn by Jim Fainges from drawings by E. M. Loveday 1997
 digitised by Jim Fainges April 2006