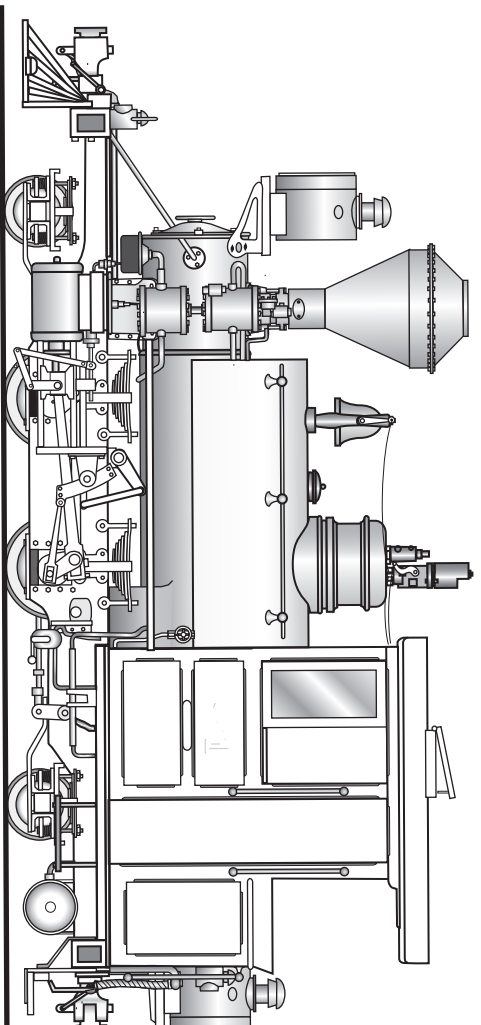
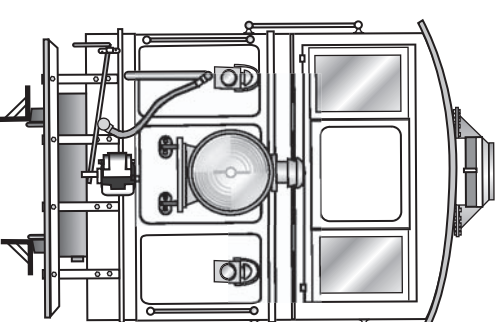


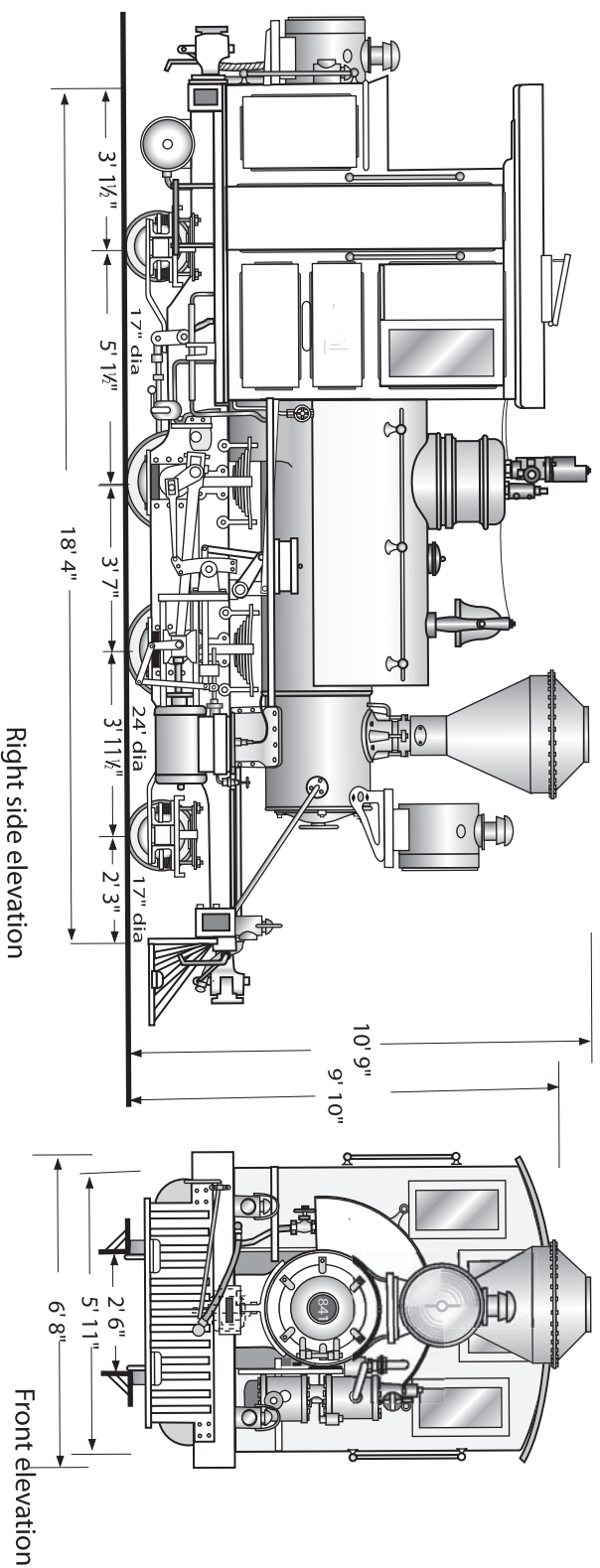
"Puffing Billy's Railway"



Left side elevation



Rear elevation



Scale 1/4 inch = 1 foot 1 : 48

Modified DECAUVILLE

Preserved at Emerald Victoria - 1998

Drawn by Jim Fainges from measurements supplied 1998 Digitised 2003