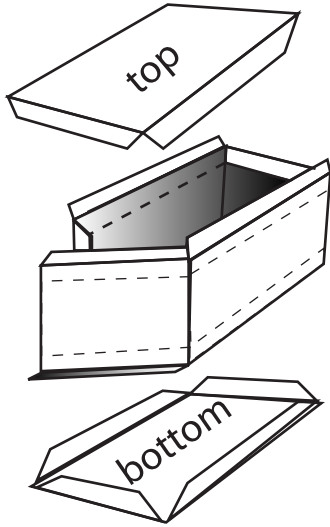


BIN assembly

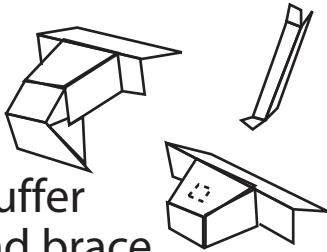
1 bin

fit top and bottom to dotted lines

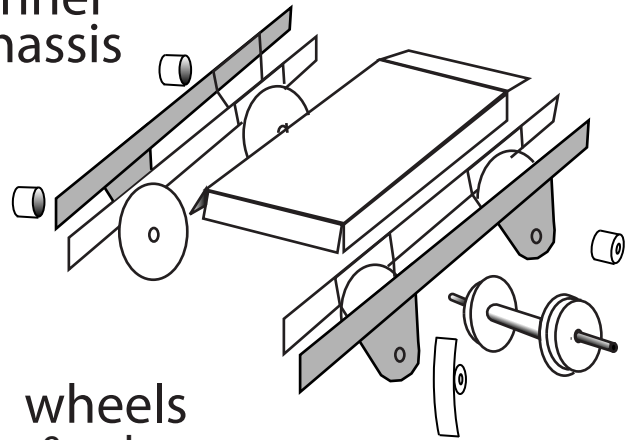


3

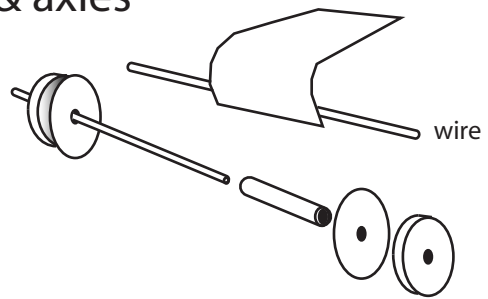
buffer and brace



2 inner chassis



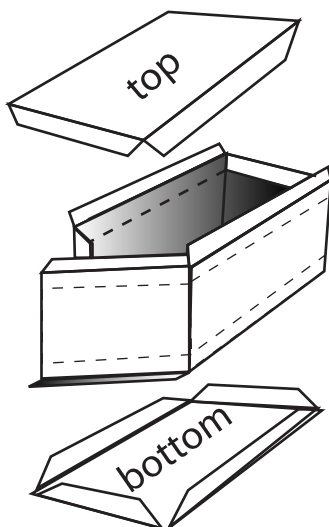
4 wheels & axles



BIN assembly

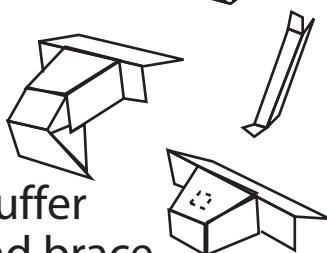
1 bin

fit top and bottom to dotted lines

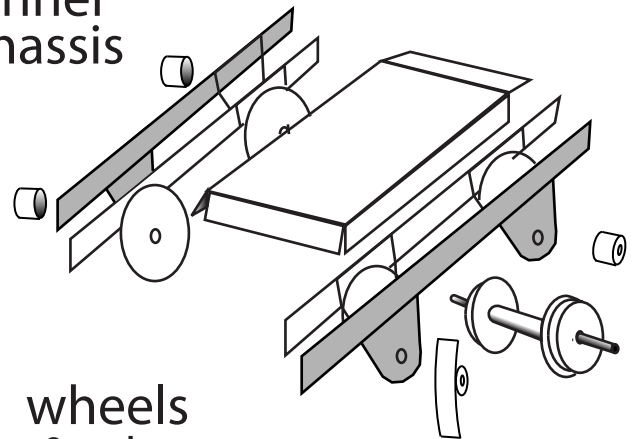


3

buffer and brace



2 inner chassis



4 wheels & axles

