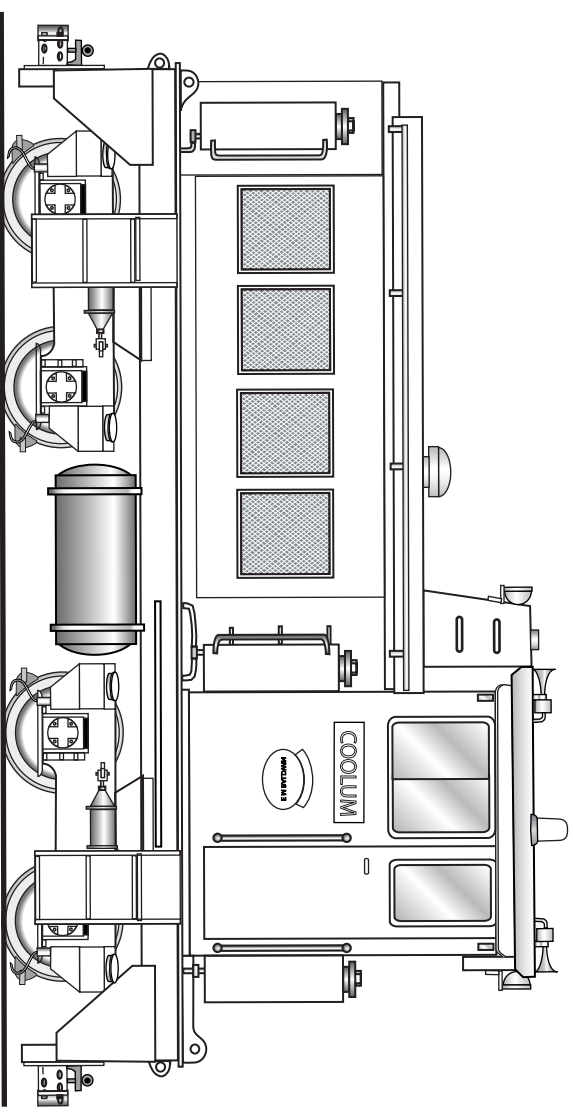


End Elevation



SIDE ELEVATION

MORETON SUGAR MILL (Nambour)  
 EM Baldwin Bo Bo Diesel Locomotive "Coolum"

Scale 1/4 inch = 1foot 1 : 48  
 drawn by Jim Fainges 1997  
 digitised Jan 2005